



DPM Company Information

DPM is an IT software company specializing in business productivity solutions.

Headquartered in Canberra, Australia, the company has operations in many regions including the USA, Asia Pacific, Oceania and Europe. In its 14 years history, DPM has developed applications for multi-national clients including OBE Insurance, American Express, Hong Kong Jockey Club, Standard Chartered Bank, Society Generale and significant Government clients in Australia including Treasury, Defence, as well as New Zealand Department of Child, Youth & Family. DPM has a presence in the USA, and partners New Zealand, South Africa, Great Britain and India.

The current stable of products includes Capabiliti™ Learning Management System and Intelledox™ enterprise document generation software.

Contact Information

Corporate Office

DPM Pty Ltd
1st Floor, 96 Barrier Street
Fyshwick, ACT 2609
Australia

Phone: +61-2-6280-6244
Email: info@dpm.com.au
Website: www.dpm.com.au

USA Office

Intelledox, LLC
61285 Benham Road
Bend, OR 97702

Phone: (408) 850-0467
Fax: (408) 715-5638
Email: info@intelledox.com
Website: www.intelledox.com



INTELLIGENT ENTERPRISE DOCUMENT CREATION

Intelldox turns your word processor into an enterprise application.

Intelldox is a scalable, enterprise wide application that facilitates the creation and management of the simplest to the most complex documents. Results include rapid creation, lower costs, improved accuracy, consistency, and controls all aspects of document creation.

Intelldox integrates into ERP and corporate systems, and utilizes security and audit features necessary for corporate compliance, including Sarbanes-Oxley.

Consistent corporate standards, style and content

Intelldox provides enterprise wide document creation and management while maintaining corporate standards by centralizing both content and structure (e.g., styles, logos, fonts). Intelldox facilitates consistent production by combining style and content on the fly to create professional grade corporate output to a Word .doc, to an Acrobat PDF, or to email.

Create complex documents in minutes

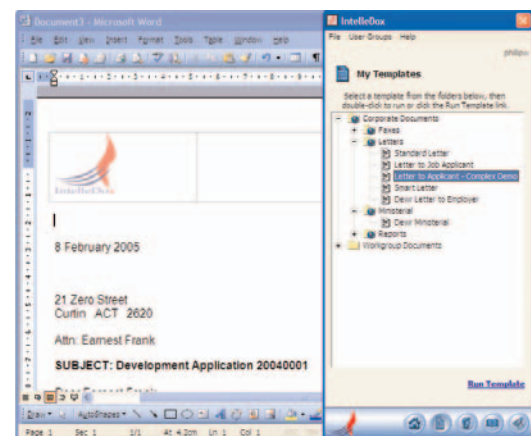
The Intelldox intelligent wizard interface effortlessly walks users, ranging from temps to executives, through the construction of even the most complex documents. Intelldox allows dynamic decision support, disclosing options only if they are needed and are relevant to the document. Access control is managed through active directories enabling individual and group access to corporate document stores.

Safe and Secure Document Creation

Intelldox is a paradigm shift away from macros within office tools. Automate the distribution of intelligent document creation across your enterprise without the risk of macro viruses that can be distributed in templates. Active directory controls corporate access, allowing you to view only those documents relevant to you and your position within the enterprise. Document administrators manage and edit document content, managing releases combined with whom in the enterprise can make use of the document.

Document construction audit statistics

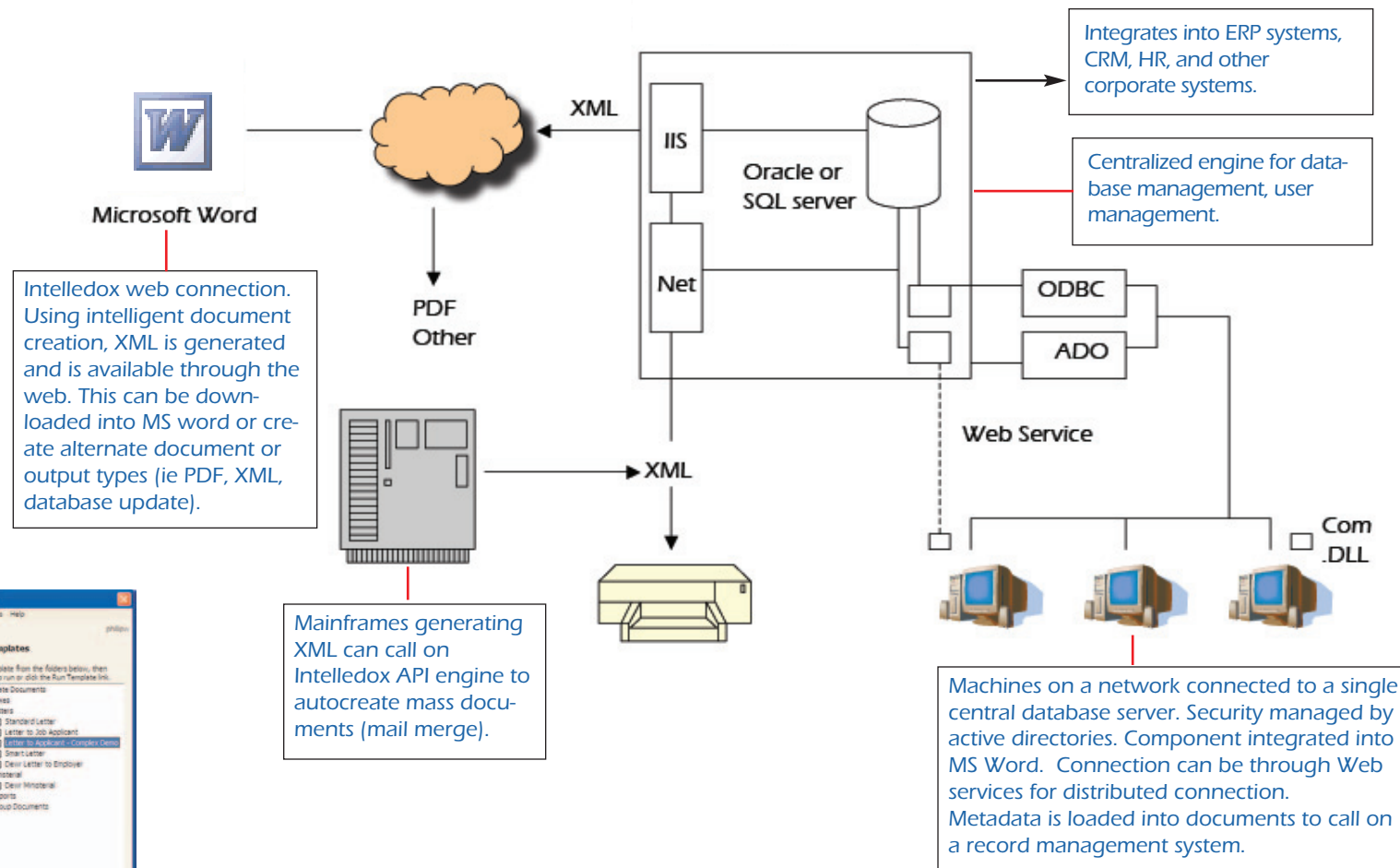
Intelldox maintains an audit trail of the documents produced within an enterprise. Office workers can instantly reproduce a document that was previously created. An administrator can view timely statistics about the types of documents produced and the time to create, providing valuable detailed information about office productivity.



Repeatable, sustainable compliance in all documents

As a corporate tool, Intelldox facilitates the management of corporate compliance such as Sarbanes-Oxley. The Intelldox centralized content administration ensures that all document content is accurate and complies with corporate standards. Any worker enterprise wide can produce a document quickly and easily with the knowledge that the content and the look and feel of the document is up-to-date, approved and legally correct.

Intelldox Enterprise Architecture



Intelldox puts the power of confidence into each document.



Features:

- Access corporate data stores from the desktop, integrating information into documents on an "as need" basis.
- Intelligent wizard leads users through the process of building even the most complex document.
- Centralized storage of corporate document formatting, allows central management and enterprise wide updates instantly.
- Produce repeatable sustainable compliant documents instantly from the web or the desktop.
- Eliminate the need for macros in the enterprise, reducing the likelihood of viruses and other security breaches.
- Active directory enables the management of security, work-group permissions.
- Create documents via the Web or your desktop.
- Audit trail and use statistics shows clear cost benefits to administrators.

Benefits:

- Reduce overall cost of generating documents within an enterprise.
- Significantly reduce the cost of managing corporate standards.
- Significantly improve efficiency and quality of documents produced by an enterprise.

